



# POND KING BOAT COMPARISON GUIDE

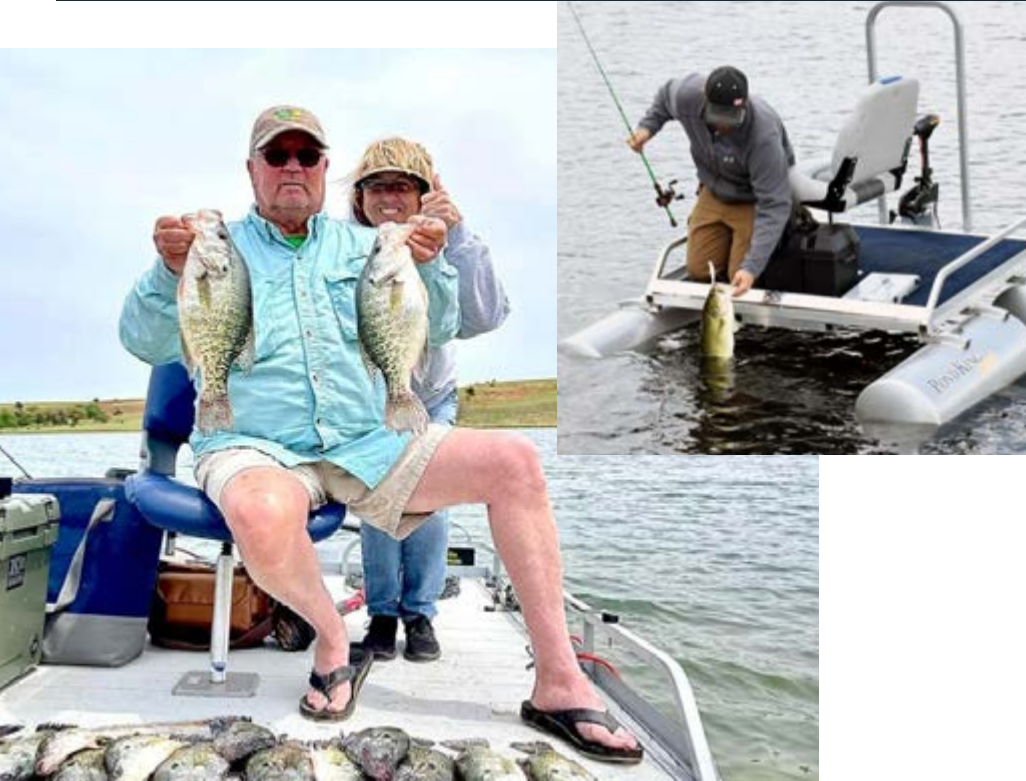
*Bringing ponds alive since 1995!*



# THE RIGHT BOAT FOR — YOU —

Pond King manufactures 9 different boat models to make sure you get the boat that is just right for you. Our boat specialists are standing by and are ready to answer questions and help any way they can! You can also use our custom boat builder tool on the website to “Build Your Own” pontoon boat.

Whatever your needs, we’ve got a boat that is just right for you.



## WHERE DO YOU USUALLY FISH?

Do you typically fish private ponds, or other small impoundments? Or do you like to haul around to lakes, reservoirs or other larger fisheries?

### Boats for Ponds or Limited Lake Access

	(EFFECTIVE) PONTOON LENGTH	MOTOR CAPACITY	SEATING CAPACITY
<b>REBEL</b>	6'	Electric	1
<b>CHAMP</b>	10'	Electric	2
<b>SPORT</b>	12'	7 hp	2

### Boats for Lakes, Reservoirs, and Larger Fisheries

	PONTOON LENGTH	MOTOR CAPACITY
<b>ULTRA</b>	14' 5"	20 hp
<b>ELITE</b>	16' 6"	40 hp





## BEST POND KING PONTOON BOATS ON A BUDGET:

Compared to their full-sized brethren, mini and small pontoon boats are pretty economical. They have a lower cost of entry, lower cost to haul, and lower cost to fuel. However, an all aluminum boat delivered with a turn-around guarantee may not fit in everyone's budget. So, we designed some lower cost options that are easier to ship to get more folks out on the water.

### DIY BOAT KITS

Starts at \$1,599  
Ships via Fed Ex Ground  
Assembly Required

### PATRIOT

Starts at \$3,679  
Marine Grade Plywood  
w/ Carpeted Deck  
Assembly Required

## MOST LUXURIOUS PONTOON BOAT

If cruising around with friends in the lap of luxury is your primary goal, we recommend the Lil' Cruiser, starting at \$23,799.

The Lil' Cruiser comes standard with:

- Extended railing with front and side gates
- Steering console with adjustable captain's chair
- Bench seating with angled lounge seat and table
- Bimini top
- Navigational lights
- Interstate Battery with battery box
- 9.9 hp Tohatsu 4-stroke outboard motor (15 or 25 hp also available)





# BUILT TO FIT YOUR NEEDS

Each and every boat we build is crafted by hand, from start to finish, in our manufacturing facility just outside of Gainesville, Texas. Whichever model you select, you can design your own using the "Boat Builder" on the website or by calling our boat specialists.

## BEST FAMILY FISHING BOATS

### The PRO starting at \$9,899

- Seating Capacity: 4
- 1,000 lb. weight capacity
- Comes standard with a 20-gallon livewell
- Add the optional tall railing to keep kids and grandparents extra-safe.
- Deck Area: 65 sq. ft.

### The ULTRA starting at \$10,999

- Seating Capacity: 5
- 1,200 lb. weight capacity
- Comes standard with a 7" kick rail
- Deck Area: 80.5 sq. ft.







## BEST BOAT FOR HUNTING & FISHING WITH A BUDDY

**CHAMP WITH DUCK BLIND | SEATS 2 | 37 SQ. FT. DECK**

**\$5,499**

**Includes**

All-aluminum, welded frame & pontoons, a rear transom, wired trolling motor plug, 2 All-weather seats with ¾-inch pull-out posts, off-deck mounted battery tray with black plastic battery box, non-skid aluminum, powder-coated deck, 6 in. kick rail, and duck blind frame with netting.

**Best Hunter Add-Ons**

Fixed Dog Ladder, Fast Grass Mats, Anchormate, MinnKota Endura Max 55 lb. Trolling Motor and Circuit Breaker, Interstate Trolling Battery

## BEST BOAT FOR FISHING WITH A BUDDY

**SPORT | SEATS 2 | 51 SQ. FT. DECK**

**\$6,899**

**Includes**

All-aluminum, welded frame & pontoons, non-skid powder-coated deck, 6" kick rail, two all-weather seats with pull-out posts, two standard rod holders, two off-deck battery trays, and a rear transom motor mount.

**Best Angler Add-Ons**

20-Gallon Livewell, Anchormate, Hummingbird Helix 5 DI and Pedestal, Minn Kota Endura Max 55 lb. Trolling Motor and Circuit Breaker, Below-deck Battery Storage w/ Plugs, Interstate Trolling Battery





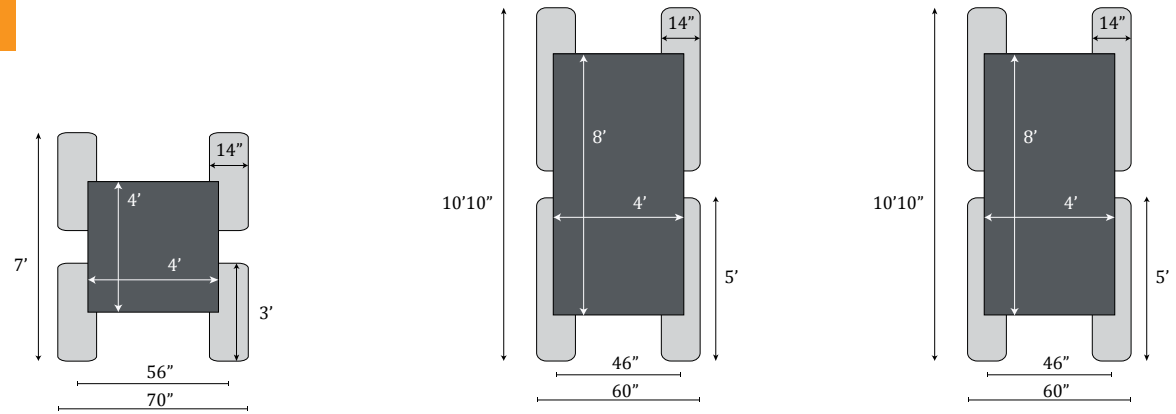
# PONTOON BOAT DETAILS

**Which pontoon boat is right for you?**

*With models from 7'-16', we've got you covered!*

## Mini Pontoon Boats

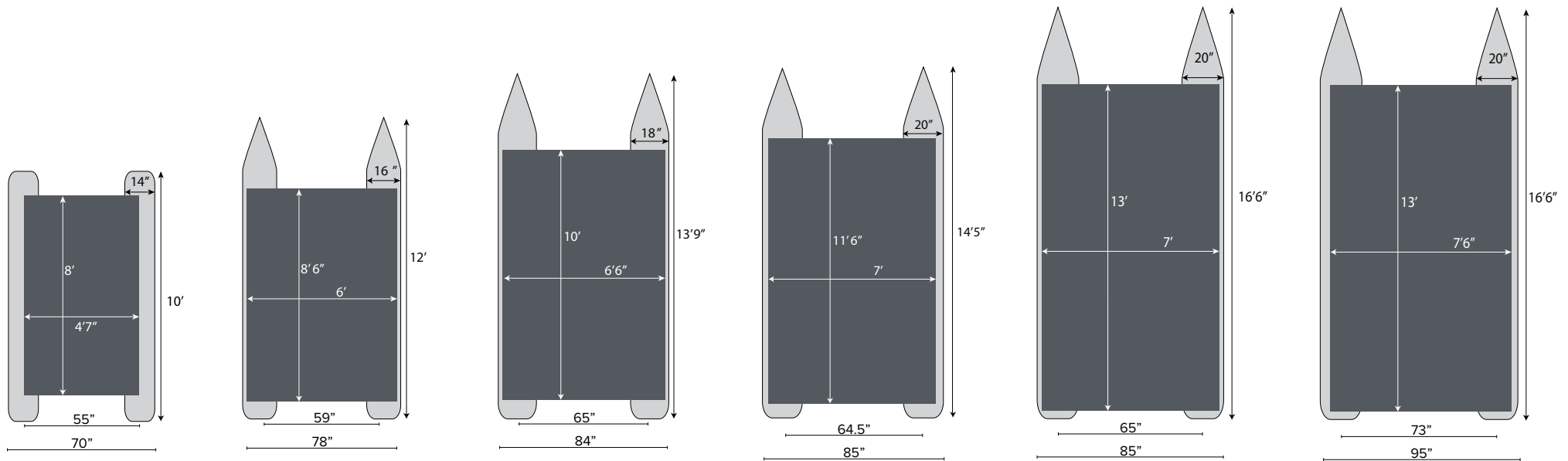
These boats may be miniature in size, but they are giants in fun and innovation. The Pond King mini-pontoon boats make for a great little fishing pond jumper. Use this handy little comparison chart to help you decide which of our mini-boats will best suit your needs and bring you the most pleasure!



	REBEL	DO-IT-YOURSELF BOAT KIT	PATRIOT
PONTOON DIAMETER	14"	14"	14"
PONTOON THICKNESS	.080"	.080"	.080"
DECK AREA	16 sq. ft.	32 sq. ft.	32 sq. ft.
SEAT CAPACITY	1	2	2
SEATS INCLUDED	0	0	2
WEIGHT CAPACITY (Based on recommended materials)	400 lbs.	650 lbs.*	650 lbs.
MOTOR HP CAPACITY	Electric Only	Electric Only	Electric Only
BOAT WEIGHT	150 lbs.	280 lbs.*	220 lbs.
TRAILER WEIGHT (Trailer not included)	NA	NA	200 lbs.
LENGTH ON TRAILER	-	-	17'6"
BASE PRICE	<b>\$1,999</b>	<b>True DIY Boat Kit - \$1,599 Build Your Own Boat Plus - \$2,199</b>	<b>\$3,479</b>

# Small Pontoon Boats

Our small pontoon boats are all built with welded aluminum subframes, heavy-gauge pontoons, powder-coated aluminum deck materials, and stainless steel hardware, so they are virtually maintenance-free.



CHAMP	SPORT	PRO	ULTRA	LIL' CRUISER	ELITE
14"	16"	18"	20"	20"	20"
.080"	.080"	.080"	.080"	.080"	.080"
37 sq. ft.	51 sq. ft.	65 sq. ft.	80.5 sq. ft.	91 sq. ft.	97.5 sq. ft.
2	2	4	5	5	5
(2) All-Weather w/ pull-out posts	(2) All-Weather w/ pull-out posts	(2) ProBax w/ fixed pedestals	(3) ProBax w/ fixed pedestals	(2) benches, (1) adj. captain's chair	(4) ProBax w/ fixed pedestals, (1) ProBax w/ adj. pedestal
650 lbs.	800 lbs.	1,000 lbs.	1,200 lbs.	1,000 lbs.	1,300 lbs.
3.5 hp	7 hp	15 hp	20 hp	25 hp	40 hp
250 lbs.	350 lbs.	475 lbs.	650 lbs.	850 lbs.	800 lbs.
200 lbs.	335 lbs.	335 lbs.	386 lbs.	567 lbs.	567 lbs.
17'6"	17'5"	18'6"	19'	21'	21'6"
<b>\$4,499</b>	<b>\$6,899</b>	<b>\$9,899</b>	<b>\$10,999</b>	<b>9.8 hp - \$23,799</b> <b>15 hp - \$25,179</b> <b>25 hp - \$26,219</b>	<b>25 hp - \$26,499</b> <b>30 hp - \$26,999</b> <b>40 hp - \$28,999</b>

Prices do not include tax, title, or license fees. . Prices do not include shipping/delivery. Pricing effective June 2024 and subject to change.





5924 WEST US HIGHWAY 82  
GAINESVILLE, TX 76240  
WWW.PONDKING.COM | (940) 305-6002